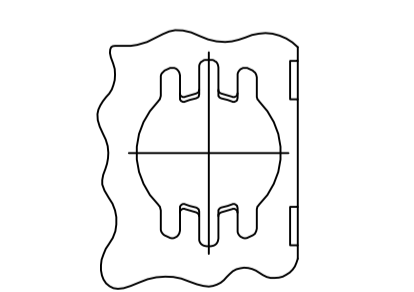
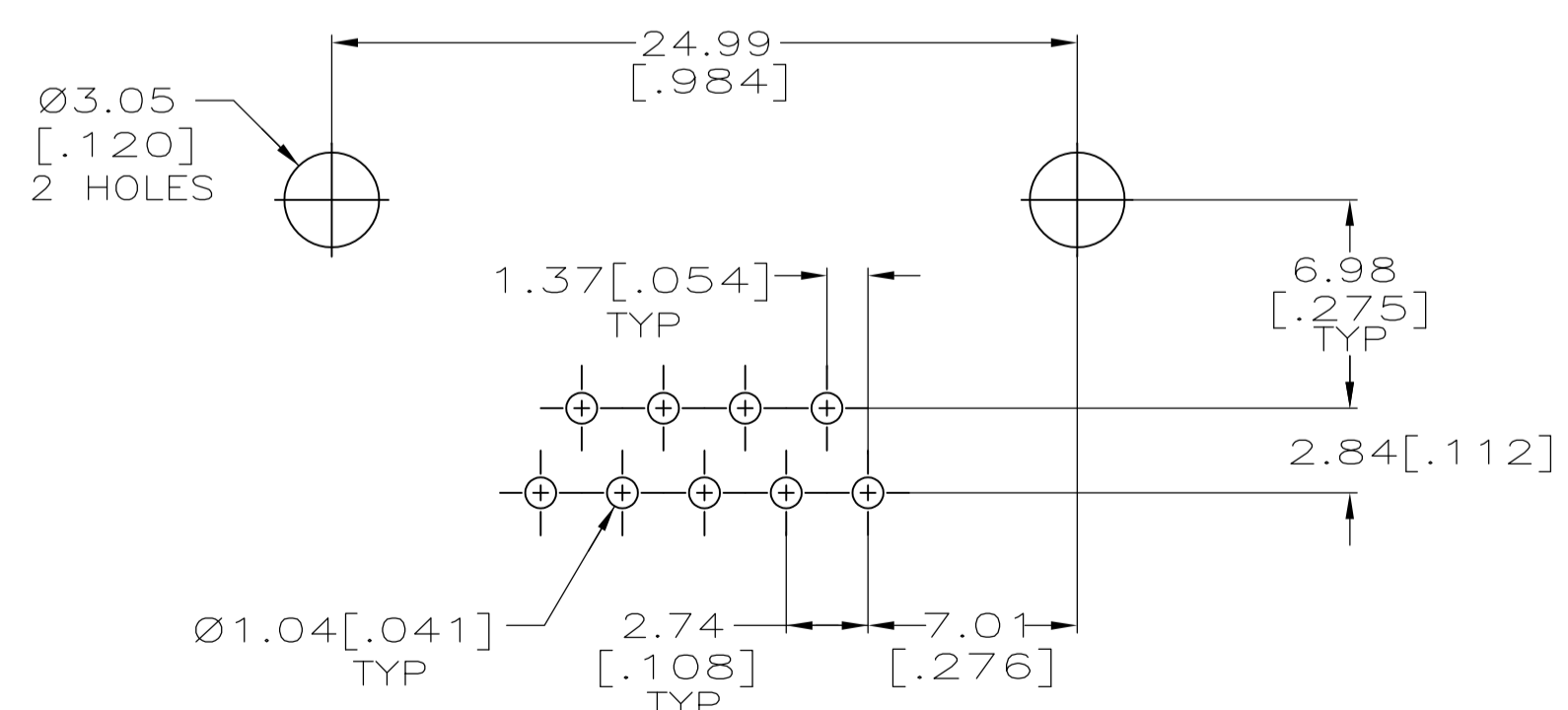
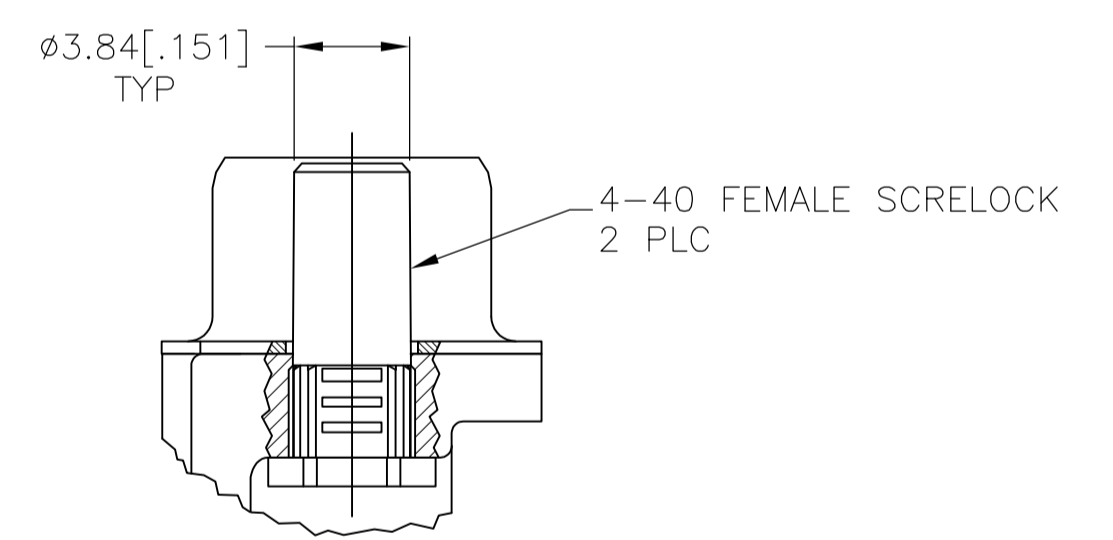
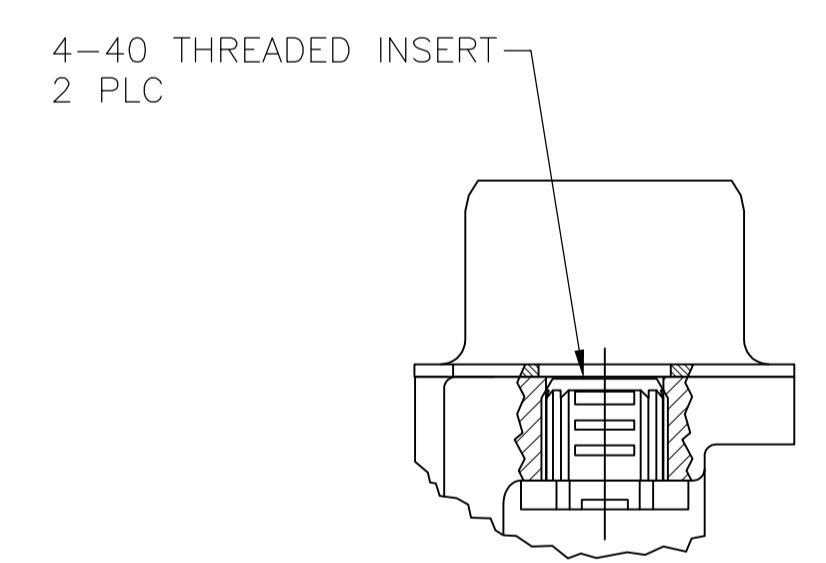
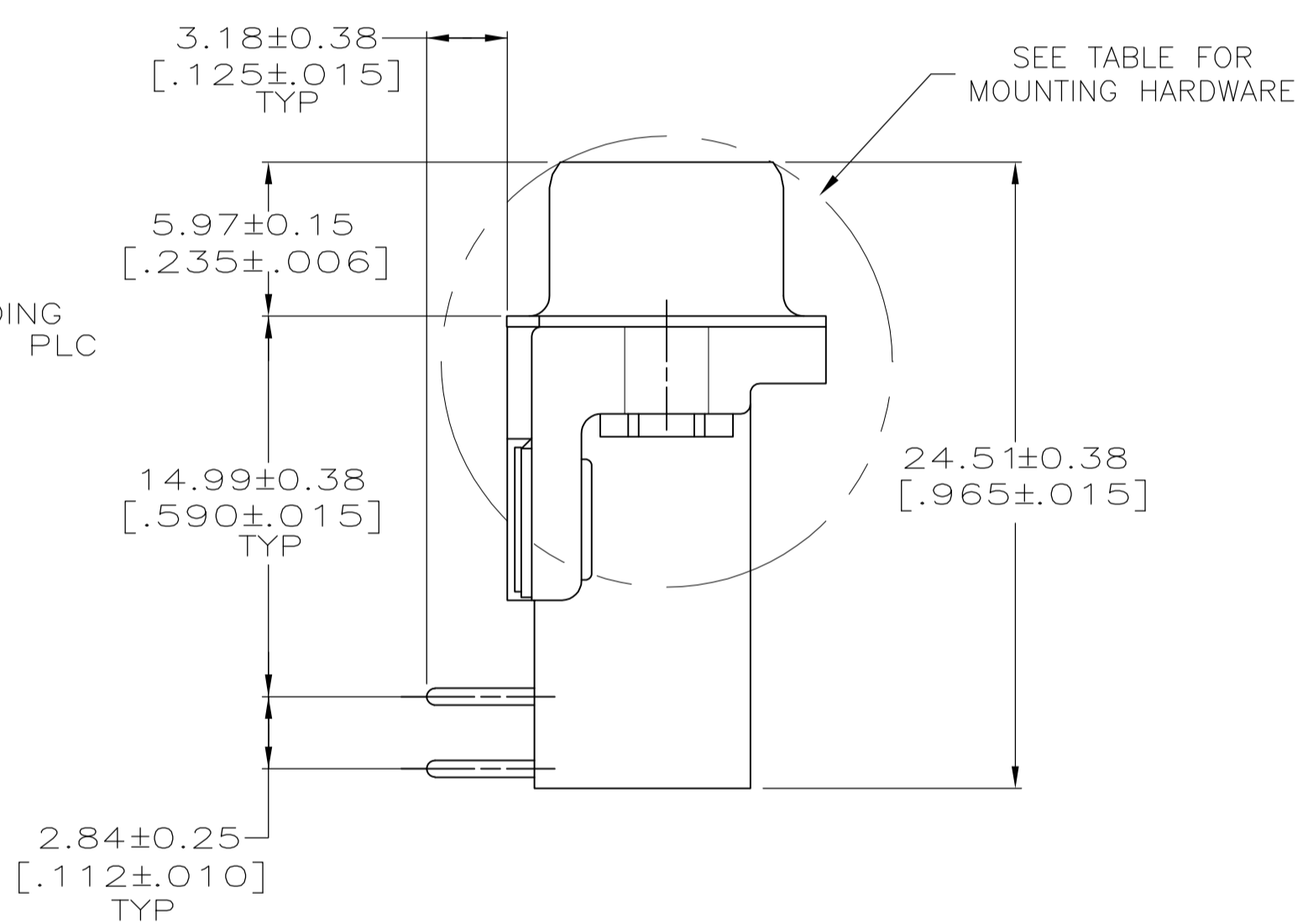
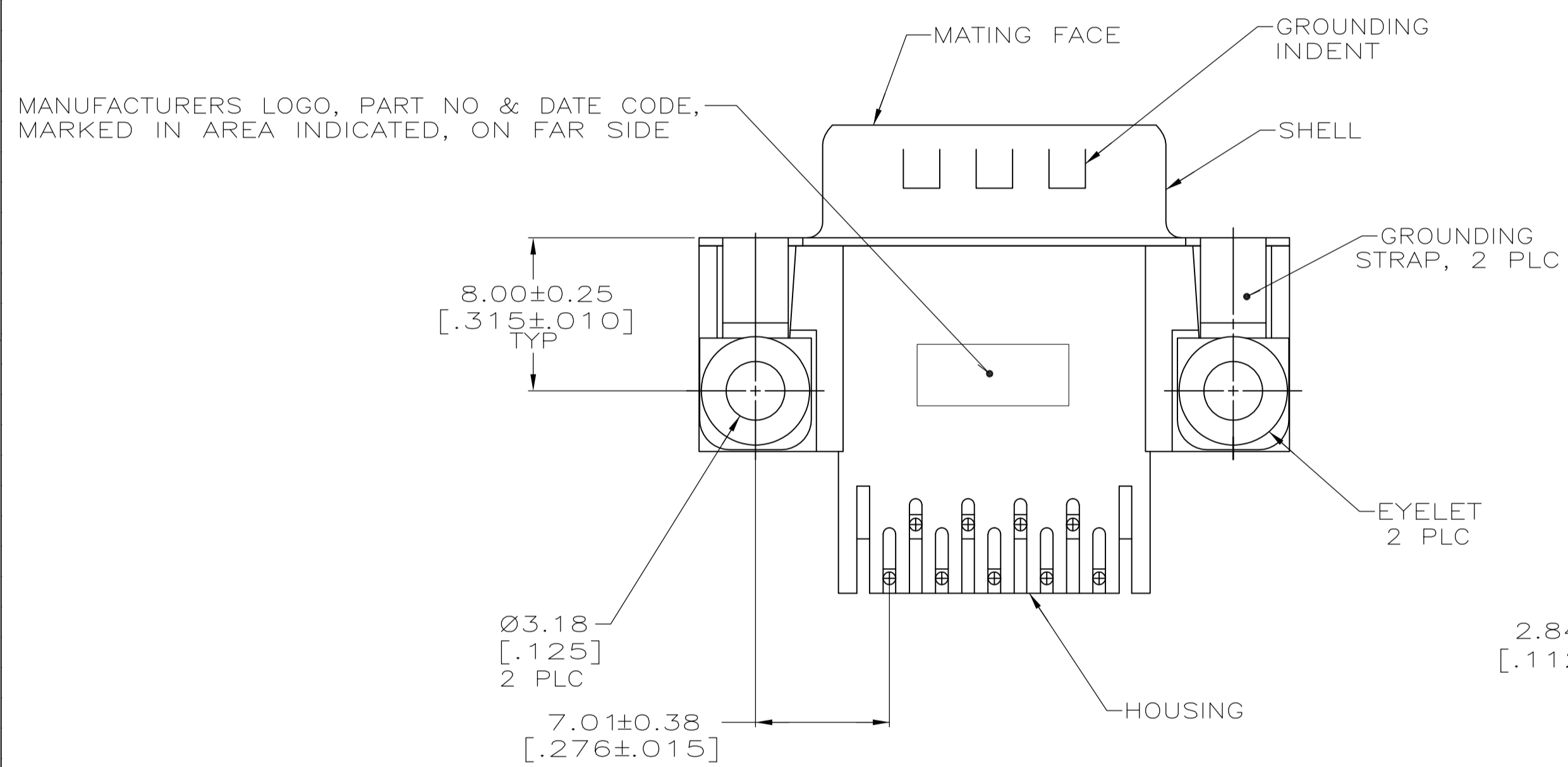


- 1 HOUSING: NYLON OR POLYESTER, FLAME RETARDANT, UL 94V-0 RATED, GLASS FILLED, BLACK, CONTACTS: BRASS, SHELL: CARBON STEEL, EYELETS: BRASS, INSERTS & SCREWLOCKS: ZINC
- 2 SHELL: 2.54µm [.000100] MIN TIN OVER 1.27µm [.000050] MIN COPPER. EYELETS: 2.54µm [.000100] MIN TIN OVER COPPER FLASH. INSERTS & SCREWLOCKS: CLEAR CHROMATE, CONTACTS: SEE TABLE
- 3 GOLD FLASH ON THE MATING SURFACES, 2.54µm (.000100) MIN TIN PLATE ON THE SOLDER END, 1.27µm (.000050) MIN NICKEL UNDERPLATE ON THE ENTIRE CONTACT.
- 4 0.76µm (.000030) MIN GOLD PLATE ON THE MATING SURFACES, 2.54µm (.000100) MIN TIN PLATE ON THE SOLDER END, 1.27µm (.000050) MIN NICKEL UNDERPLATE ON THE ENTIRE CONTACT -OR- GOLD FLASH OVER PALLADIUM-NICKEL PLATE, 0.76µm (.000030) MIN TOTAL ON THE MATING SURFACES, 2.54µm (.000100) MIN TIN PLATE ON THE SOLDER END, 1.27µm (.000050) MIN NICKEL UNDERPLATE ON THE ENTIRE CONTACT.



FOR -6 ONLY
DETAIL F
2 PLC

SEE DETAIL E	△	5745990-6
SEE DETAIL D	△	5745990-4
SEE DETAIL D	△	5745990-3
MOUNTING HARDWARE	CONTACT FINISH	PART NUMBER

THIS DRAWING IS A CONTROLLED DOCUMENT. DIMENSIONING AND TOLERANCING PER ASME Y14.5M-2009.

DIMENSIONS:	TOLERANCES UNLESS OTHERWISE SPECIFIED:	APVD	DATE
mm [INCHES]	0 PLC ± -	M. WALMSLEY	04-08-05
	1 PLC ± -	S. BOLASH	04-08-05
	2 PLC ± ± 0.13 [.005]		
	3 PLC ± -		
	4 PLC ± -		
	ANGLES ± -		

STE TE Connectivity

PLUG ASSEMBLY, SIZE 1, 9 POSITION, RIGHT ANGLE, FRONT METAL SHELL, .590 SERIES, AMPLIMITE HD-20

108-40025

114-40010

SIZE: A1

SCALE: 1:1

SHEET: 1 OF 1

REV: D